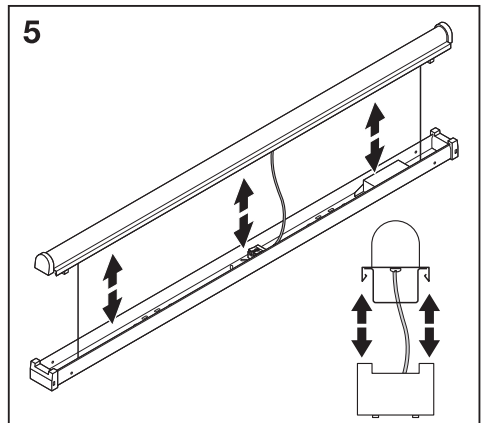
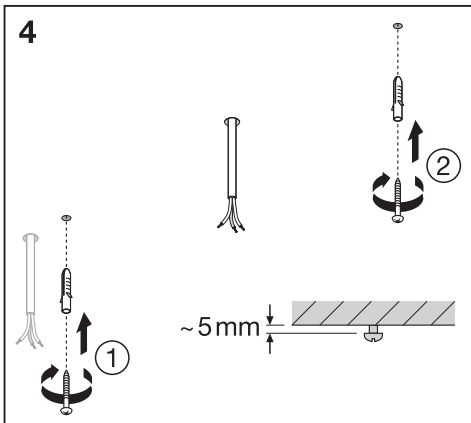
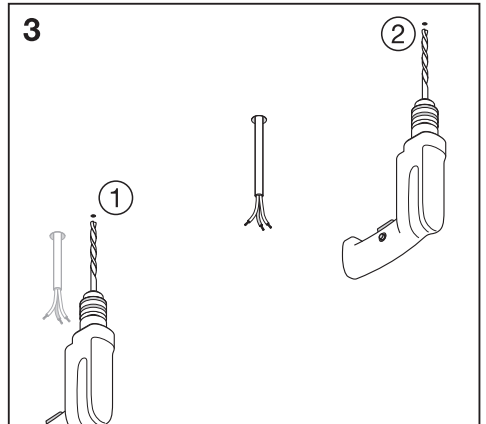
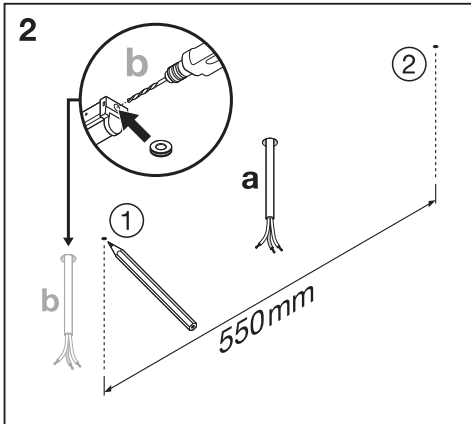
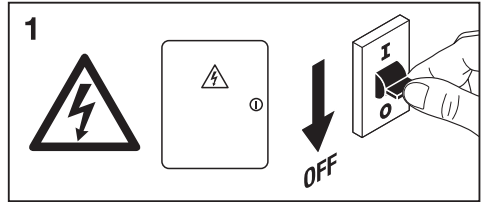
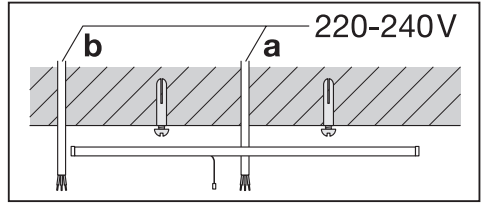
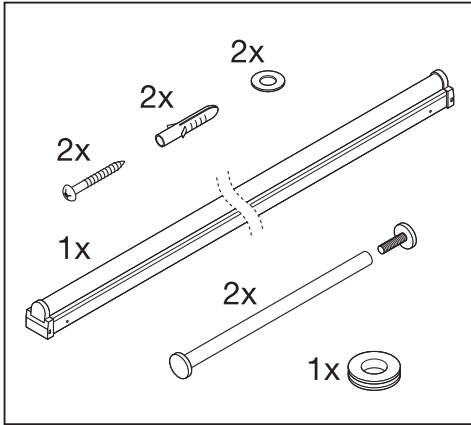


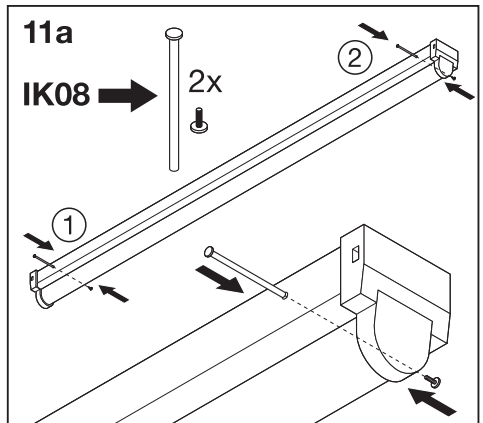
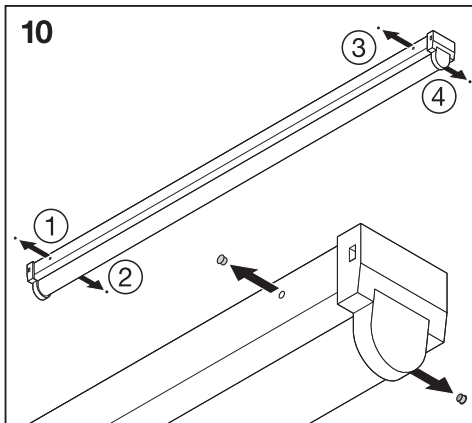
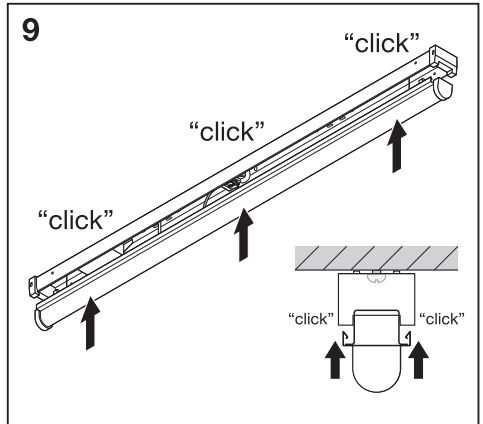
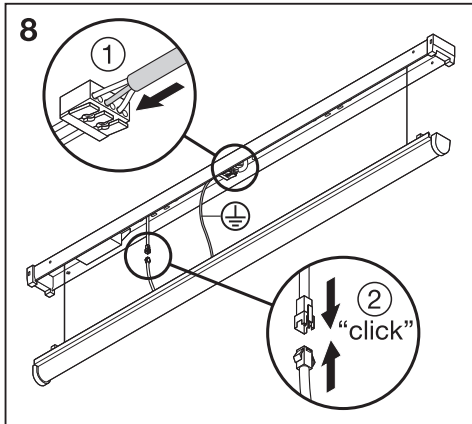
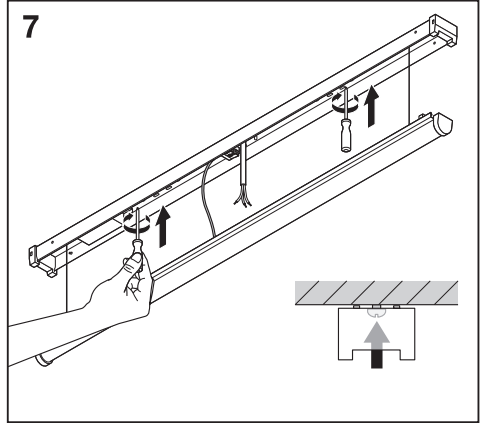
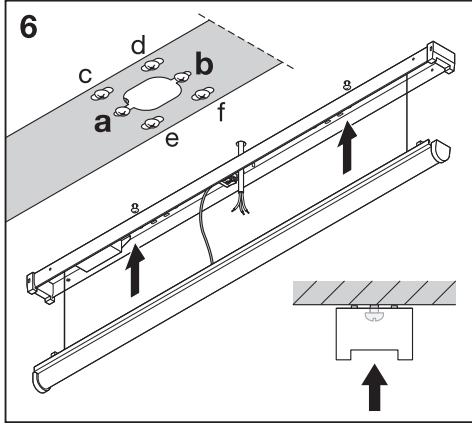
## LINEAR ULTRA OUTPUT



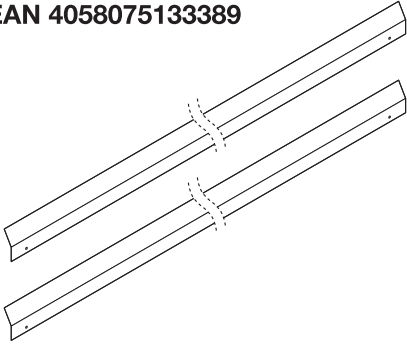
	EAN	l x w x h [mm]	W	lm	lm/W	K	IP	IK
LN UO 1200 33W/3000K	4058075122147	1168 x 62 x 74	33	3700	110	3000	20	08
LN UO 1200 33W/4000K	4058075122161	1168 x 62 x 74	33	4000	120	4000	20	08
LN UO 1500 30W/3000K	4058075122185	1458 x 62 x 74	30	3500	115	3000	20	08
LN UO 1500 30W/4000K	4058075122208	1458 x 62 x 74	30	3800	125	4000	20	08
LN UO 1500 46W/3000K	4058075122222	1458 x 62 x 74	46	5000	110	3000	20	08
LN UO 1500 46W/4000K	4058075122246	1458 x 62 x 74	46	5500	120	4000	20	08
LN UO 1500 60W/3000K	4058075122260	1458 x 62 x 74	60	6600	110	3000	20	08
LN UO 1500 60W/4000K	4058075122284	1458 x 62 x 74	60	7100	120	4000	20	08

	EAN	⊕ (°C)	V <sub>AC</sub>	Hz	∇	PF	R <sub>a</sub>	👤
LN UO 1200 33W/3000K	4058075122147	0...+40	220-240V	50/60 Hz	110°	> 0.9	≥80	1.5kg
LN UO 1200 33W/4000K	4058075122161	0...+40	220-240V	50/60 Hz	110°	> 0.9	≥80	1.5kg
LN UO 1500 30W/3000K	4058075122185	0...+40	220-240V	50/60 Hz	110°	> 0.9	≥80	1.8kg
LN UO 1500 30W/4000K	4058075122208	0...+40	220-240V	50/60 Hz	110°	> 0.9	≥80	1.8kg
LN UO 1500 46W/3000K	4058075122222	0...+40	220-240V	50/60 Hz	110°	> 0.9	≥80	1.9kg
LN UO 1500 46W/4000K	4058075122246	0...+40	220-240V	50/60 Hz	110°	> 0.9	≥80	1.9kg
LN UO 1500 60W/3000K	4058075122260	0...+40	220-240V	50/60 Hz	110°	> 0.9	≥80	1.9kg
LN UO 1500 60W/4000K	4058075122284	0...+40	220-240V	50/60 Hz	110°	> 0.9	≥80	1.9kg

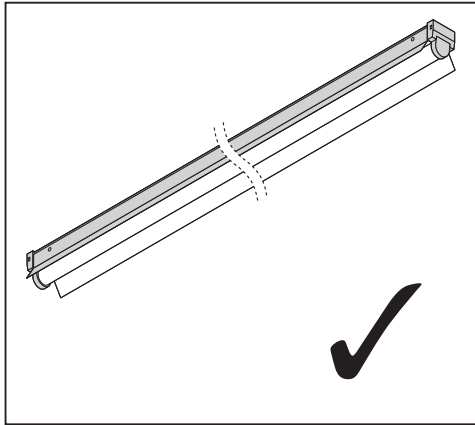
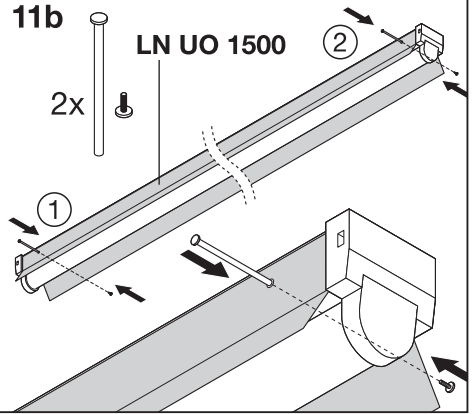




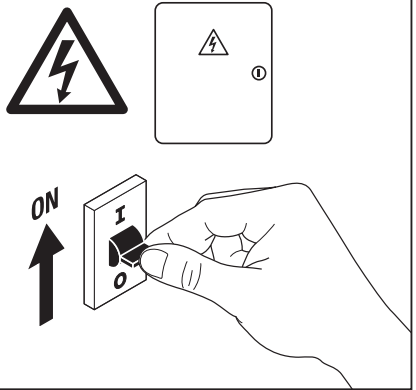
**LN UO 1500 REFLECTOR**  
**EAN 4058075133389**



**11b**



**12**



**CE**   **ERC** **RoHS**



C10449057  
G11034903  
27.04.18

 **LEDVANCE GmbH**  
Steinerne Furt 62  
86167 Augsburg, Germany  
[www.ledvance.com](http://www.ledvance.com)